



Mannlicher

Steyr Mannlicher
Aktiengesellschaft
STEYR/AUSTRIA

OPERATOR'S MANUAL



 **SPP**

WARNING :

Cleaning liquid or lubricants or insect repellants which contain solvents may influence the synthetic parts of the weapon or even may damage them.

CAUTION !

Before unpacking and using the pistol you are to read this Operator's manual; it will warn against possible dangers that could be caused by misuse that might lead to accidents, and familiarize you with the pistol's function and handling characteristics.

2. Edition

February 1993 / T&W

for

Steyr Mannlicher Aktiengesellschaft

P.O.B. 1000 A - 4400 Steyr



Steyr Mannlicher
Aktiengesellschaft
STEYR/AUSTRIA

OPERATOR'S MANUAL



US Des. 330749

SPP

1 SAFETY WARNINGS

READ CAREFULLY BEFORE USING YOUR FIREARM

FOREWORD

Congratulations on your purchase of a Steyr pistol. Steyr pistols are handcrafted to the highest quality standards, and with proper care, should provide you with many years of dependable shooting service. Please feel free to contact Steyr Mannlicher Aktiengesellschaft if you have any questions or comments in regard to the operating characteristics or performance of your Steyr pistol.

A warranty card is enclosed with the operator's manual for your pistol. Please take a moment to complete the warranty card and mail it to Steyr Mannlicher Aktiengesellschaft within 10 days of purchase.

P.O.Box 1000 A-4400 Steyr/Austria

This information is necessary to validate the Limited Warranty of your pistol and is helpful in our efforts to provide you with better service.

THIS BOOKLET

The safety warnings in this booklet are important. By understanding the dangers inherent in the use of any firearm, and by taking the precautions described herein, you can enjoy complete safety in the use of your pistol. Failure to heed any of these warnings may result in serious injury to you or others, as well as severe damage to the firearm or other property.

Pistols are classified as FIREARMS or DANGEROUS WEAPONS and are sold by us with the specific understanding that we are not responsible in any manner whatsoever for their improper or negligent handling or resale under local laws and regulations.

We shall not be responsible in any manner whatsoever for malfunctioning of the firearm, or for physical injury or property damage, resulting in whole or in part from (1) criminal or negligent discharge, (2) improper or careless handling, (3) unauthorized modifications, (4) defective, improper, hand-loaded, or reloaded ammunition, (5) corrosion, (6) neglect, (7) other influences beyond our direct and immediate control.

This limitation applies regardless of whether liability is asserted on the basis of contract, negligence or strict liability (including any failure to warn). Under no circumstance shall we be liable for incidental or consequential damages, such as loss of use of property, commercial loss and loss of earnings or profits.

FIREARMS SAFETY IS YOUR RESPONSIBILITY

SAFE GUN HANDLING is the most important responsibility one assumes as a sportsman, hunter and shooter. Improper gun handling or neglect for basic gun safety may result in injury or death. Always handle your pistol or any other firearm with the highest regard for safety. Please read and understand all proper handling procedures provided in the operator's manual before using this pistol.

ALWAYS PRACTICE THE FOLLOWING RULES TO ENSURE SAFE GUN HANDLING PROCEDURES :

1. **ALWAYS** keep the muzzle of your pistol pointed in a safe direction. **NEVER** point any firearm at anything you do not intend to shoot. Stay alert and be aware of all persons and property within shooting range.
2. **NEVER** give a loaded firearm (pistol) to another person. Always open the action and inspect the chamber for ammunition, and unload the pistol before exchanging the weapon to another person for inspection. Always unload the pistol after use to prevent the occurrence of accidental discharge.
3. **KEEP** the pistol bore free of all obstructions. Firing a firearm with a barrel obstruction can cause both damage to the weapon and injury or death to the shooter. Keep the barrel clean of mud, snow, cleaning patches or any other materials which may clog the barrel.
4. **NEVER** drink alcohol or take medication while handling a firearm. Responsible gun handling requires a state of alert mental readiness.

5. **DO NOT** totally rely on the mechanical safety device. The mechanical safety's function is to block sear engagement to prevent accidental discharge of the weapon. However, should this device fail, it is possible to fire the weapon even when the safety is in the non-firing position. The shooter should avoid placing the trigger finger on the trigger in non-firing conditions to prevent accidental discharge in the event of failure of mechanical safety. Never grasp the trigger or test the safety when the pistol is pointed in an unsafe direction.
6. **NEVER** transport a loaded weapon.
7. **UTILIZE** protective eye glasses to protect yourself from blow back gunpowder and dirt particles generated through discharge of the weapon.
8. **USE** ear plugs or other hearing protection devices to reduce the chance of temporary or permanent hearing loss caused by excessive noise.
9. **ALWAYS** use the correct ammunition. Make sure that the gauge of the ammunition used matches the corresponding gauge of the pistol. Steyr Mannlicher recommends that only new condition commercial ammunition loaded in accordance with standards established by the Sporting Arms and Ammunition Manufacturers Institute (SAAMI) be used. Do not use ammunition that has been exposed to prolonged periods of dampness or moisture.
10. **AVOID** contact between the trigger finger and the trigger while unloading, loading, or any other time before you are ready to shoot. Do not dry fire the firing pin on an empty chamber - the chamber may not be empty, even if you think it is not loaded !
TREAT EVERY FIREARM AS IF IT WERE LOADED !
11. **KNOW** your target and backdrop area. Be sure you are firing at your intended target under safe conditions.
KNOW the range of your ammunition and the potential for danger that exists to persons or property within this range.

NEVER fire the weapon in the direction of persons, non-game animals, or property that could be injured or damaged.

12. **MAKE SURE** your pistol is unloaded before crossing a fence, climbing trees, jumping over a ditch, or passing through other obstacles.
DO NOT place or lean a loaded firearm on or against a fence, tree, car or similar objects.
13. If you attempt to fire your pistol and it fails to discharge, **KEEP** the muzzle pointed in a safe direction. Maintain this position for a minimum of 30 seconds. Carefully, open the breech and remove the cartridge. If the primer or cartridge rim is intended, discharge the cartridge in a safe manner which will not cause harm. If the cartridge rim or primer is not intended, the firearm should be inspected by a qualified firearm service technician and corrective action should be performed before further use.
14. **USE CAUTION** to avoid dropping a loaded pistol. Dropping the weapon may cause an accidental discharge even if the "safety" is in the "on safe" position. Be extremely careful while shooting or during any shooting activity to avoid dropping any firearm.
15. **TAKE EVERY PRECAUTION** to prevent unsafe pistol handling practices around yourself and others. If you witness any unsafe pistol handling practices by other shooters, politely suggest safe procedures for future use.
16. **KEEP** all firearms away from **CHILDREN !** Firearms should be stored in a locked and safe area away from children. Children or other persons **NOT FAMILIAR** with the **POTENTIAL DANGER** of firearms should only handle firearms under strict supervision by an adult who is familiar with safe firearms handling procedures.
17. **READ, UNDERSTAND AND PRACTICE** all safety procedures and warnings in this Operators manual and on commercial ammunition containers. It is your responsibility to collect the most up-to-date information on safe handling procedures for your pistol.

Steyr Mannlicher Aktiengesellschaft cannot assume any responsibility when unsafe or improper pistol procedures are used.

18. KEEP this operator's manual on hand for future reference.

Please include this manual with the pistol in the event you transfer this pistol to any other user or owner.

PERIODIC SERVICE, UNAUTHORIZED MAINTENANCE

Your firearm is subject to wear through use and storage and **REQUIRES INSPECTION AND MAINTENANCE**. Steyr Mannlicher firearms (pistols) should be serviced by an authorized gunsmith. Steyr Mannlicher cannot assume any responsibility for injuries or damage caused by unauthorized maintenance, modifications, or alterations of Steyr Mannlicher firearms.

IT IS POTENTIALLY DANGEROUS TO ALTER THE TRIGGER, SAFETY OR OTHER FIRING MECHANISM OF ANY FIREARM !!

***FIREARM SAFETY IS YOUR RESPONSIBILITY !
USE CAUTION !***

PROTECT YOUR EYES AND EARS

Always wear adequate shooting glasses and ear plugs or "ear-muff" type protectors whenever you are shooting. Always make certain that persons close to you are similarly protected.

Unprotected eyes may be injured by powder gas, carbon residue, lubricant, metallic particles or similar debris which may emanate occasionally from any firearm in normal use.

Without eare protection, repeated exposure to shooting noise may lead to cumulative, permanent hearing loss.

AMMUNITION

1 Use only high quality, original factory-manufactured ammunition.

Do not use cartridges that are dirty, wet, corroded, bent, or damaged. Do not oil cartridges. Do not spray spray aerosoltype lubricants, preservatives, or cleaners directly onto cartridges or where excess spray may flow into contact with cartridges. Lubricant or other foreign matter on cartridges can cause potentially dangerous ammunition malfunctions. Use only ammunition of the caliber for which your firearm is chambered. The proper caliber is permanently engraved on your firearm; never attempt to use ammunition of any other caliber.

2 The use of reloaded, "remanufactured", hand-loaded, or other non-standard ammunition voids all warranties. Reloading is a science and improperly loaded ammunition can be extremely dangerous. Severe damage to the firearm and serious injury to the shooter or to others may result. Always use ammunition that complies with the industry performance standards established by the Sporting Arms and Ammunition Manufacturer's Institute, Inc. of the United States. (SAAMI)

3 Firearms may be severely damaged and serious injury to the shooter or to others may result from any condition causing excessive pressure inside the chamber or barrel during firing. Excessive pressure can be caused by obstructions in the barrel, propellant powder overloads, or by the use of incorrect cartridges or defectively assembled cartridges. In addition, the use of a dirty, corroded, or damaged cartridge can lead to a burst cartridge case and consequent damage to the firearm and personal injury from the sudden escape of high-pressure propellant gas within the firearm's mechanism.

- 4** Immediately stop shooting and check the barrel for a possible obstruction whenever :
- ◆ You have difficulty in, or feel unusual resistance in, chambering a cartridge, or
 - ◆ A cartridge misfires (does not go off), or
 - ◆ The mechanism fails to extract or eject a fired cartridge case, or

- ◆ Unburned grains of propellant powder are discovered spilled in the mechanism, or
- ◆ A shot sounds weak or abnormal.

In such cases it is possible that a bullet is lodged part way down the barrel. Firing a subsequent bullet into the obstructed barrel can wreck the firearm and cause serious injury to the shooter or to bystanders.

5 Bullets can become lodged in the barrel :

- ◆ If the cartridge has been improperly loaded without propellant powder, or if the powder fails to ignite. (Ignition of the cartridge primer alone will push the bullet out of the cartridge case, but usually does not generate sufficient energy to expel the bullet completely from the barrel), or
 - ◆ If the bullet is not properly seated tightly in the cartridge case. When such a cartridge is extracted from the chamber without being fired, the bullet may be left behind in the bore at the point where the rifling begins. Subsequent chambering of another cartridge may push the first bullet further into the bore.
- 6 If there is any reason to suspect that a bullet is obstructing the barrel, immediately unload the firearm and look through the bore. It is not sufficient to merely look in the chamber. A bullet may be lodged some distance down the barrel where it cannot easily be seen.

IF A BULLET IS IN THE BORE, DO NOT ATTEMPT TO SHOOT IT OUT BY USING ANOTHER CARTRIDGE, OR BY BLOWING IT OUT WITH A BLANK OR ONE FROM WHICH THE BULLET HAS BEEN REMOVED. SUCH TECHNIQUES CAN GENERATE EXCESSIVE PRESSURE, WRECK THE FIREARM AND CAUSE SERIOUS PERSONAL INJURY.

If the bullet can be removed with a cleaning rod, clean any unburned powder grains from the bore, chamber, and mechanism before resuming shooting. If the bullet cannot be dislodged by tapping it with a cleaning rod, take the firearm to a gunsmith.

- 7 Dirt, corrosion, or other foreign matter on a cartridge can impede complete chambering and may cause the cartridge case to burst upon firing. The same is true of cartridge which are damaged or deformed.
- 8 Do not oil cartridges, and be sure to wipe the chamber clean of any oil or preservative before commencing to shoot. Oil interferes with the friction between cartridge case and chamber wall that is necessary for safe functioning, and subjects the firearm to stress similar to that imposed by excessive pressure.
- 9 Use lubricants sparingly on the moving parts of your firearm. Avoid excessive spraying of any aerosol gun care product, especially where it may get on ammunition. All lubricants and aerosol spray lubricants in particular, can penetrate cartridge primers and cause misfires. Some highly penetrative lubricants can also migrate inside cartridge cases and cause deterioration of the propellant powder; on firing, the powder may not ignite. If only the primer ignites, there is danger that the bullet may become lodged in the barrel.

USE OF THE SAFETY

- 1 Your firearm comes equipped with an effective, well-designed safety device. *HOWEVER, NEVER RELY COMPLETELY ON ANY SAFETY MECHANISM.* It is *NOT* a substitute for cautious gun handling. NO safety, however positive or well-designed, should be totally trusted. Like all mechanical devices, the safety is subject to breakage or malfunction and can be adversely affected by wear, abuse, dirt, corrosion, incorrect assembly, improper adjustment or repair, or lack of maintenance. Moreover, there is no such thing as a safety which is "child-proof" or which can completely prevent accidental discharge from improper usage, carelessness, or "horseplay".

The best safety mechanism is your own good sense; USE IT ! Always handle your firearm as though you expect the safety NOT to work !

- 2 While handling any firearm, never allow it to point at any part of your body or at another person. No harm will result if you obey this rule, even if an accidental discharge occurs.
- 3 Leave the safety "on" until you are ready to shoot and the firearm is pointed at the target!
- 4 Always keep your finger off the trigger and point the muzzle in a safe direction when turn the safety "on" or "off" !
- 5 When applying the safety, be certain to move it fully into position. A red warning dot is located beside the safety; when the safety is fully "on", the red dot should be completely covered. Always remember, "half-safe" is *NOT SAFE* !
- 6 Never carry any firearm with a cartridge in the chamber without placing the safety "on".

LOADING

- 1 Always make sure the muzzle is pointed in a safe direction!
- 2 Never attempt to load or unload any firearm inside a vehicle, building or other confined space (except a properly constructed shooting range). Enclosed areas frequently offer no completely safe direction to point the firearm; if an accidental discharge occurs, there is great risk of injury or property damage.
- 3 Before loading, always clean all grease and oil from the bore and chamber, and check to be certain that no obstruction is in the barrel. Any foreign matter in the barrel could result in a bulged or bust barrel or other damage to the firearm, and could cause serious injury to the shooter or to others.

FIRING

- 1 Keep the muzzle pointed in a safe direction and your finger away from the trigger when cocking any firearm.
- 2 Never carry about or leave unattended any firearm which is cocked and ready to fire ! When cocked, it will fire from slight pressure on the trigger. An accidental discharge could easily result if you fall or drop the firearm, or if the firearm is struck or disturbed by someone or something.
- 3 Never fire any semi-automatic firearm with your finger, hand, face, or other part of your body over or adjacent to the ejection port, or in any position where you may be struck by reciprocating movement of the slide (or bolt). Both the ejection of empty cartridge cases and the movement of the slide (or bolt) are part of the normal operating cycle of semi-automatic firearms, and pose no safety hazard to the shooter if the firearm is held in a proper grip.
- 4 Never allow other persons to stand beside you where they might be struck by an ejected cartridge case. The case is hot, and may be ejected with sufficient force the cause a burn or cur or injure an unprotected eye. Make certain there ist a clear, unobstructed path for safe ejection of the fired case. Remember, the case may bounce off a hard object nearby and strike you or someone else.
- 5 If while shooting, your firearm develops ANY mechanical malfunction or binding, or "spits" powder gas, or if a cartridge primer is punctured or a cartridge case is bulged or ruptured, or if the report on firing does not sound quite right, *STOP SHOOTING IMMEDIATELY* ! It may be dangerous to continue. UNLOAD THE FIREARM - do NOT try "one more shot". Take the firearm and the ammunition to a Steyr Mannlicher franchised dealer for examination.
- 6 While shooting any semi-automatic firearm, an unfired cartridge or fired cartridge case may occasionally become jammed between the bolt and the barrel. Clear the jam as follows, WHILE KEEPING THE MUZZLE POINTED IN A SAFE DIRECTION :

- 7 DO NOT include slings, or other accessories with any firearm shipping to us.

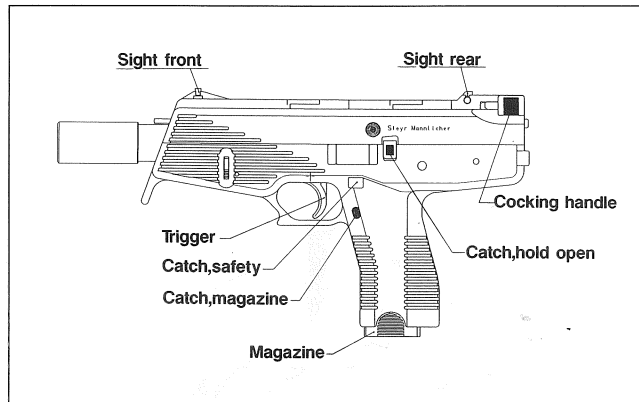
A WORD TO THE WISE

Most gun accidents happen because the shooter carelessly violates the single most important rule of safe gun handling :

Always keep the muzzle pointed in a safe direction !

2 GENERAL

The **SPP = Special Purpose Pistol** is a semiautomatic weapon. The weapon is a recoil-operated gun with rigid locking and movable barrel (*turning barrel system*). When firing is interrupted, a cartridge is in the barrel, the bolt is locked (*lock bolt action*). Cartridge feeding is achieved from a rod-type magazine.

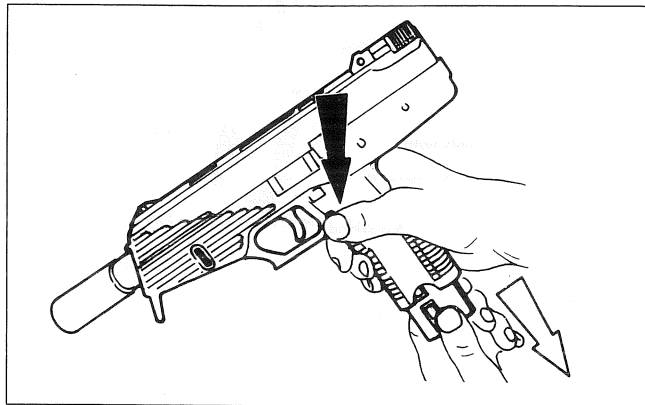


3 INSTRUCTIONS OF USE

The following instructions of use are destined for right-handers. The weapon may, however, easily be used also by left-handers. The terms "right" and "left", as used herein, always refer to the direction of shooting.

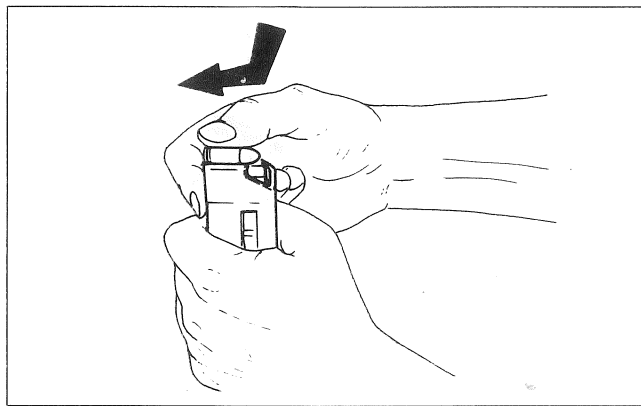
3.1 FILLING AND EMPTYING THE MAGAZINE

FILLING : Press magazine catch with thumb of right hand and pull out magazine from gun toward below.

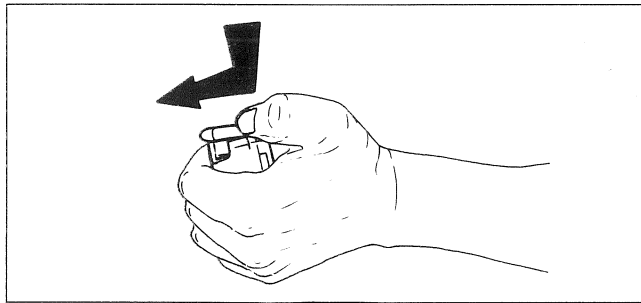


One hand is now holding the magazine. Press one cartridge with the thumb of the other hand on the magazine platform until it is retained by the magazine lips.

Press another 14 cartridges in this way into the magazine.

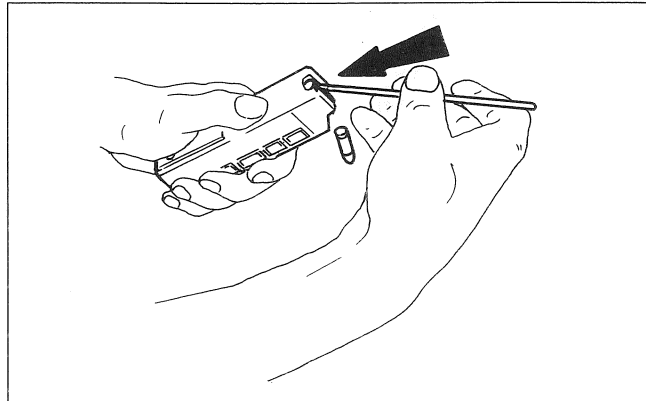


EMPTYING : Press with thumb on the bottom of the upper cartridge until it is released by the magazine lips. Now, push the cartridges one after the other out of the magazine to such an extent that they are released by the magazine lips and jump out.



Faster and rather easily the magazine may be emptied when using a suitable piece of wood or plastic material.

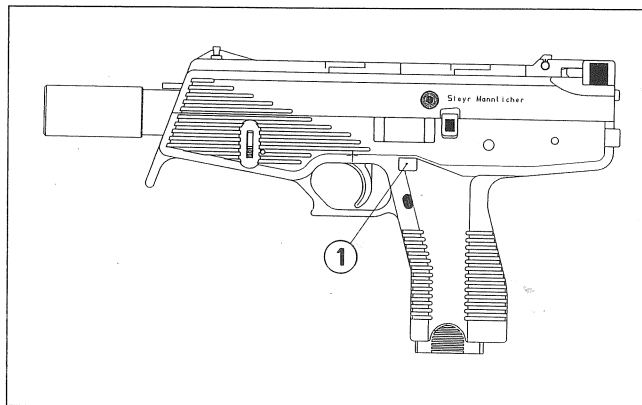
One hand is holding the magazine with the bullet points toward below. Always press the second cartridge with the demagazing device described above a few milimeters against the magazine platform spring, whereupon the upmost cartridge will fall out. To avoid any damages to the cartridges, use a soft base.



3.2 PUTTING ON SAFETY AND RELEASING

PUTTING ON SAFETY :

Press safety slide ① with right-hand thumb to the right stop. The white mark on the safety slide is visible (on right side of gun). The trigger system is locked. Trigger may not be pulled through.



RELEASING THE SAFETY :

Press safety slide with right hand index (with finger joint resting on it) toward the left. The red mark on the safety slide is visible (on left gun side).

The trigger system remains mechanically locked (trigger safety). Only after pulling through the trigger, the trigger safety is released and the gun is ready for firing.

An additional, automatically acting drop safety prevents an incidental release of the hammer in case of drop or fall.

3.3 LOADING AND SHOOTING

NOTE : The safety of the gun must be released, the muzzle is pointing in a safe direction !

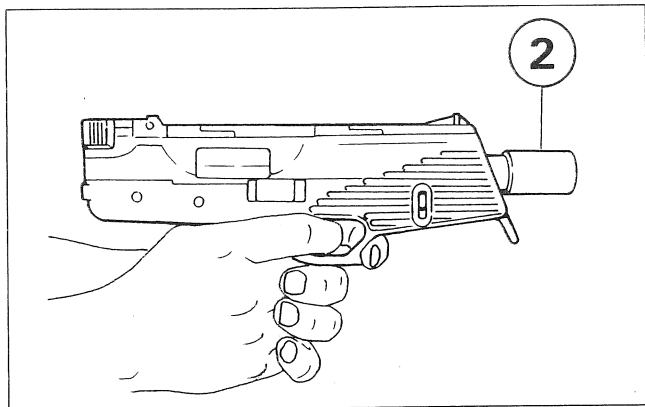
Slide magazine from below into frame until it audibly engages. Retract cocking handle firmly and release it. Bolt jumps forward, introducing thereby a cartridge from the magazine into the barrel loading space. The gun is loaded and put on safety. After releasing the safety the gun is ready for firing.

PROPER SHOOTING POSTURE

NOTE : Shooting over a prolonged period of time, heats up the barrel and in case of an improper shooting posture this might cause burns, f.i. on the thumb.

To avoid this, hold the gun as shown here with the right hand on its frame. Put your left hand on the left side of the pistol, while the index finger can support itself on the specially designed trigger guard.

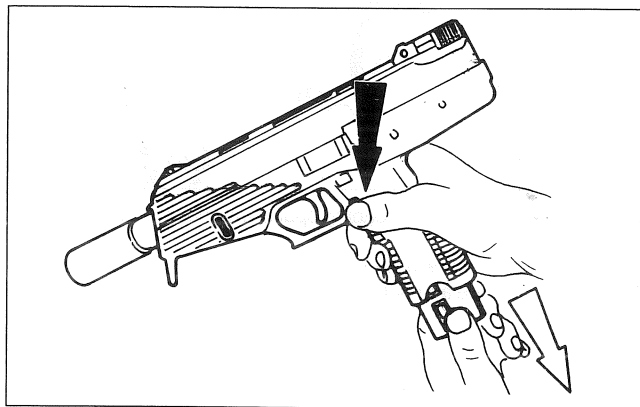
It is not permitted to screw off extension piece ② from the barrel support for this could result in a safety risk (injury risk) for the shooter.



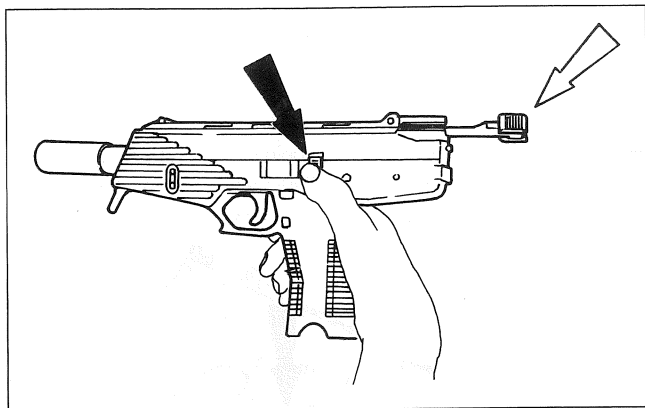
When pulling the trigger, the trigger safety is released. A shot is fired. After firing, allow trigger simply to slide forward. The gun is ready for firing again. As soon as the last shot has left the magazine, the bolt remains in its rearmost position. Remove empty magazine, slide in full magazine, release catch hold open, continue shooting.

3.4 UNLOADING

NOTE : Put gun on safety, muzzle is pointing in a safe direction. Press magazine catch with right thumb. Pull out magazine toward below.



Pull cocking handle firmly backward so that the cartridge being in the barrel is extracted and ejected. Simultaneously press catch hold open upward so that the bolt is locked.



Check by a glance into the loading space whether or not it is actually empty.
Finally press bolt catch with thumb firmly downward, bolt jumps forward.
The gun is unloaded and put on safety.

3.5 SIGHT ADJUSTING

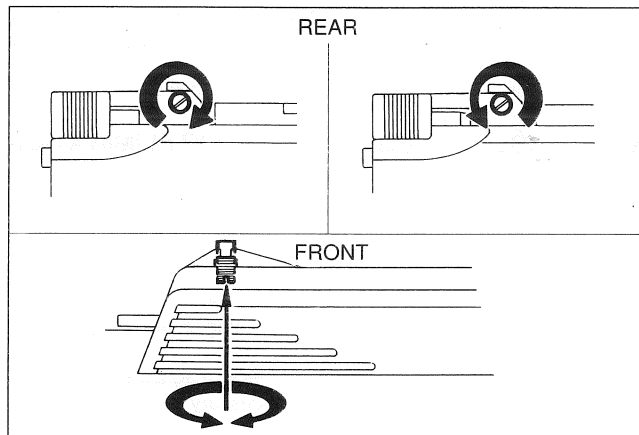
NOTE : First unload pistol.

The pistol had been carefully tested in the works. And yet it might happen that the front and rear sight adjustment do not suit for all aiming eyes. Therefore, corrections may be made.

ADJUSTING THE REAR SIGHT :

In case of right-hand drift turn adjusting screw with a suitable screwdriver clockwise.

In case of left-hand drift turn adjusting screw anticlockwise.



ADJUSTING THE FRONT SIGHT :

To enable any adjustment, the gun must be disassembled.
Remove cover. Take out barrel - bolt. In case of low drift, turn front sight with a suitable screwdriver anticlockwise.
In case of high drift, turn front sight clockwise.

4 IMMEDIATE ELIMINATION OF IGNITION FAILURES

If properly cleaned, cared and correctly assembled, the gun usually functions without troubles.

If, when pulling the trigger and with safety released no shot is fired, this is mostly due to two main causes :

- a) The ammunition is defective
For remedies see next section 5 - failure / defective cartridge.
- b) The bolt is not completely closed.
Remedy : Barrel points in a safe direction (no risk for persons or objects).
Remove magazine. After waiting *30 seconds* , retract cocking handle firmly. Cartridge is ejected. Insert magazine again and load pistol. Continue shooting.

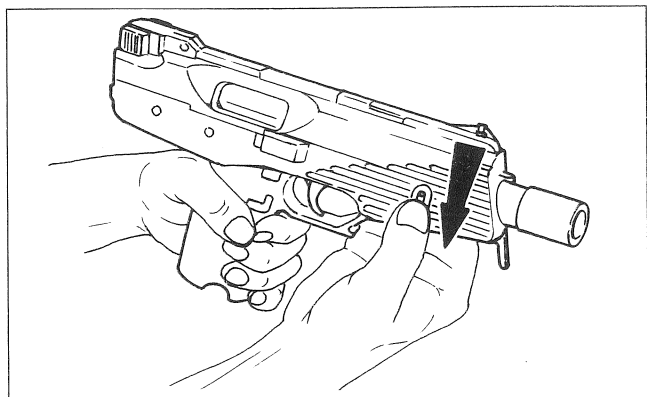
5 POSSIBLE TROUBLES AND THEIR ELIMINATION

CAUSE	REMEDY
Poor cartridge feeding, feed jam	
<i>Magazine not fully introduced</i>	Remove and reinsert magazine until magazine audibly engages
<i>Magazine defective</i>	Check magazine, replace, if necessary
<i>Magazine soiled</i>	Disassemble and clean magazine
<i>Loading space soiled</i>	Clean loading space
<i>Cartridges defective or soiled</i>	Replace or clean cartridges resp.

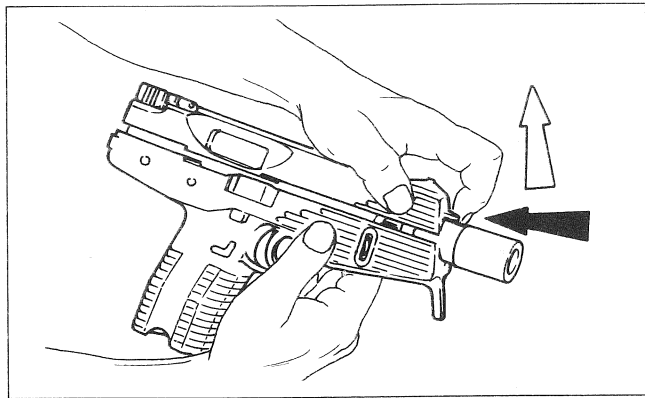
CAUSE	REMEDY
Bolt does not lock completely	
Loading space soiled	Clean loading space
Defective cartridge	Eject and eliminate
Extractor jams	Clean and oil, if necessary
Improper extraction	
Extractor jams	Clean and oil extractor
Extractor spring weak	Replace extractor spring ; in specialized workshop only
Faulty ejection	
Ejector nose of bolt catch bent	Replace bolt catch; in specialized workshop only
Failure / defective cartridge	
Before an unignited cartridge is extracted and ejected from the loading space, it is absolutely required to wait at least 30 seconds in position, while the pistol is directed against an appropriate back stop (no risk for persons or objects).	
Percussion cap of cartridge not or not sufficiently struck	Eject cartridge, reintroduce it into magazine and continue firing
Percussion cap of cartridge properly struck	Eject and discard cartridge

6 DISASSEMBLY

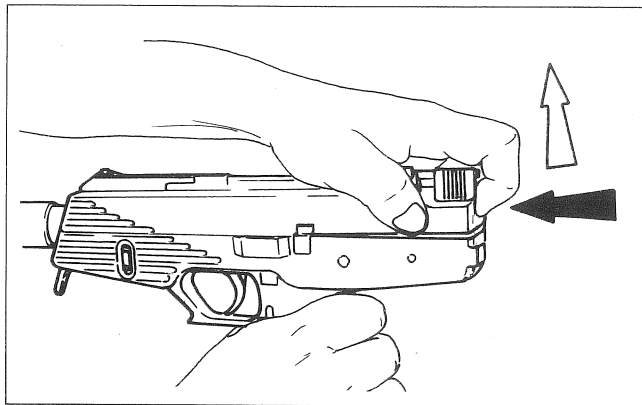
Before disassembling the gun, *never fail to unload it* (see 3.4)
Press plate downward until it remains in its lowermost position.



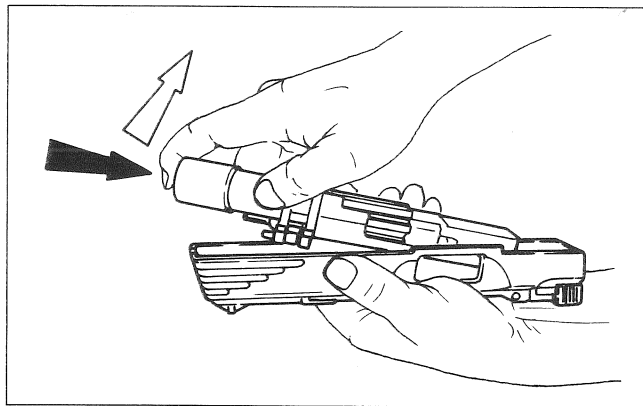
Force in lock plate to the stop and lift cover.



Press in lock spring rod and remove barrel, barrel guide and bolt lock.
Put aside frame parts.



Hold cover firmly in one hand. Press barrel guide, while lifting it, against bolt spring.

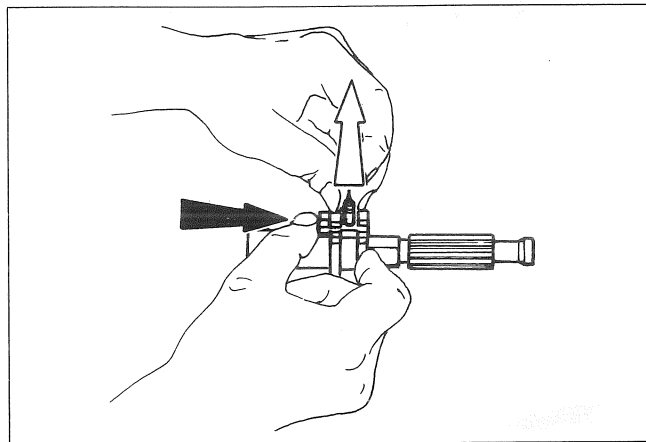


Extract barrel guide and lock bolt from cover. Remove lock spring rod and lock spring from cover. Pull cocking handle out of the cover toward the rear. Separate bolt from barrel.

- ◆ Press in lock plate to such an extent that control pin may be extracted.
- ◆ Pull out barrel from barrel guide.
- ◆ Remove lock plate from barrel guide.

No further disassembly is required for cleaning.

Should the magazine be soiled, it must also be disassembled.



7 CLEANING AND CARE

In order to ensure a long service life and action safety of the pistol, it is necessary to clean the pistol after each shooting.

BARREL . Cleaning of the barrel bore has to be done with the cleaning brushes included as accessory in the supply.

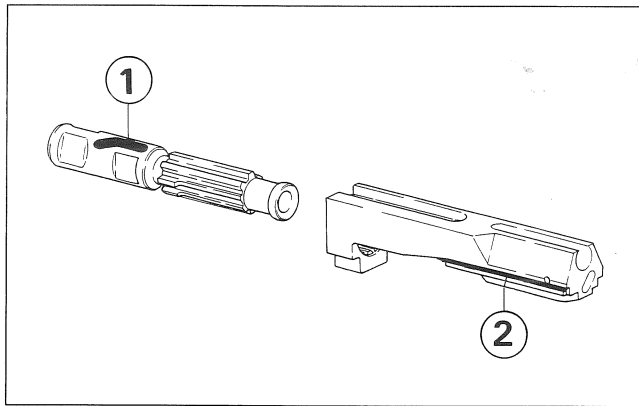
Depending on the degree of soiling either the brass brush - for heavy soiling - or the bristle brush has to be used.

The use of special commercial chemical agents or gun oils respectively facilitates the removal of any deposits.

After cleaning wipe the barrel bore dry with a wool brush and then oil it slightly. Wipe off the outside surfaces of the barrel with a cloth wetted a bit with gun oil.

Also the **LOCK BOLT** and the remaining metal parts should be cleaned in the same way.

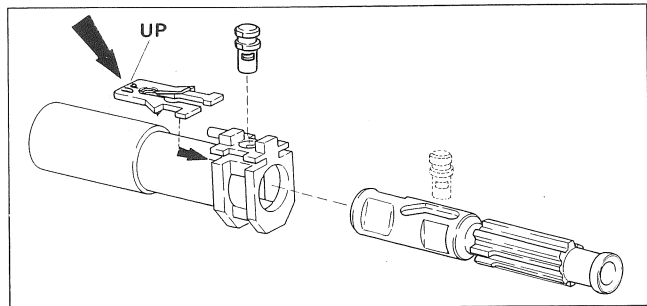
After cleaning, always apply a few drops of gun oil on the barrel control curve ① and on the lock bolt guide grooves ②.



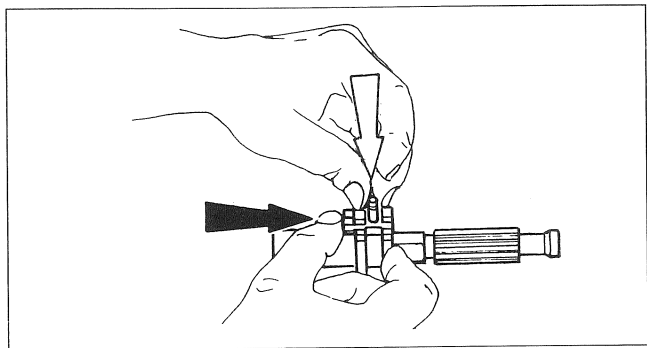
Wipe off the plastic parts with a dry cloth only. Before shooting, the barrel has to be de-oiled.

8. ASSEMBLY

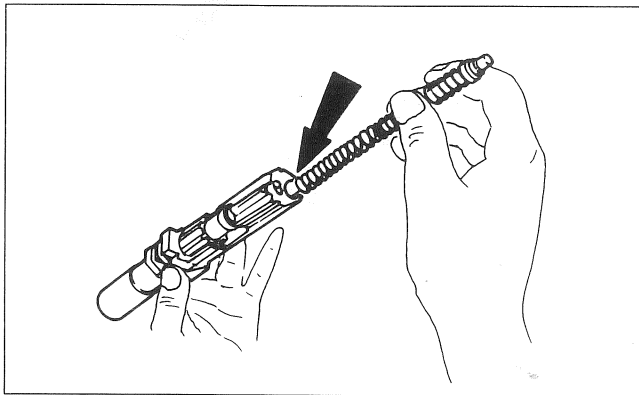
- ◆ Introduce barrel into barrel guide in such a way that the control pin can be inserted into the control curve.
The lock plate must be located in the barrel guide in such a way that the letters "UP" are readable.



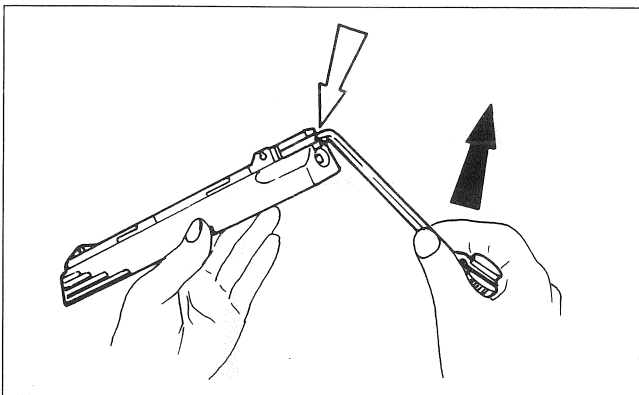
- ◆ Press in lock bolt firmly with thumb and force control bolt simultaneously into the barrel guide bore to such an extent that via the control curve it locks the barrel in the barrel guide. Incorrect assembly is impossible since the control pin may be introduced in its correct position only.



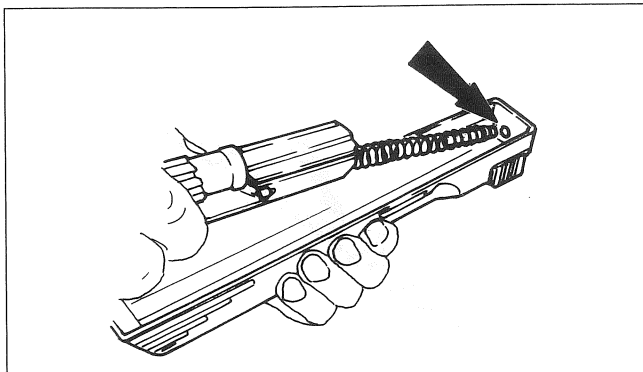
- ◆ Put barrel guide together with barrel and lock bolt.
When doing this, be sure that the recess on the top of the lock bolt is flush with the control pin.
- ◆ Introduce lock bolt spring including lock spring rod into lock bolt.



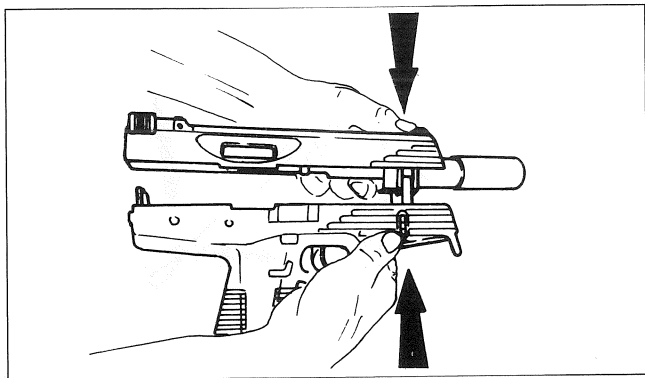
- ◆ Mount cocking handle in cover. Wrong assembling impossible.



- ◆ Introduce barrel/lock bolt with the end of the lock spring rod into the bore of the cover rear wall, press them against lock spring and insert them into the cover until the barrel guide engages into the cover.



- ◆ Put complete cover on frame subassembly, whereby the barrel guide must slide into the respective frame retainer. Press in protruding lock spring rod at the rear end of the cover and simultaneously press in cover until it engages into the frame subassembly.



- ◆ By retracting the cocking handle, the plate leaps upward. Release cocking handle. Lock bolt jumps forward. Pull trigger.
- ◆ Slide magazine into frame until it audibly engages.

9 TECHNICAL DATA (modifications reserved)

Caliber	9 x 19 mm (9 mm Para)	
Barrel length	130 mm	5.1 in.
Total length	322 mm	12.6 in.
Height (w/o magazine)	162 mm	6.4 in.
Width	45 mm	1 3/4 in.
Weight (w/o magazine)	1190 g	2.6 lbs.
Weight of empty magazine	65 g	2.3 oz.
Weight of filled mag. appr.	250 g	8.8 oz.
Length of twist	250 mm	9.8 in.
Muzzle speed dep. on		
Type of ammunition	appr. 355 m/s	
Sighting device	open sight	
Magazine	rod-type magazine for 15 cartridges	

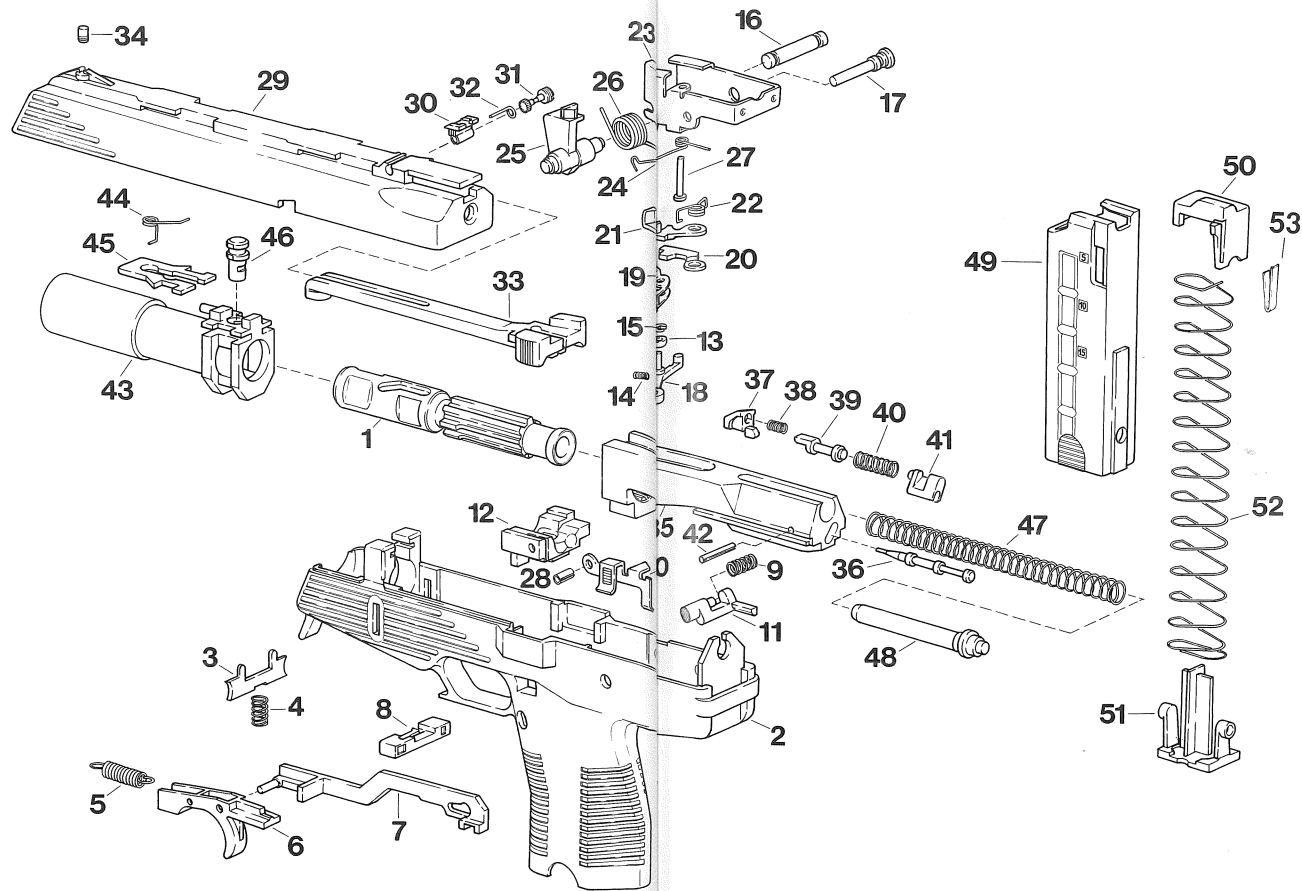
Special accessory :

- ◆ Strap
- ◆ Cleaning kit
- ◆ Magazine for 30 cartridges

10 EXPLODED VIEW

1 Barrel	27 Clevis pin
2 Frame, sub-assembly	28 Spirol pin
3 Plate	29 Cover
4 Spring	30 Sight rear
5 Spring, trigger	31 Adjusting screw
6 Trigger	32 Spring clip
7 Sear	33 Cocking handle
8 Catch, safety	34 Sight front
9 Spring	35 Bolt lock
10 Catch, hold open	36 Pin, firing
11 Catch, magazine	37 Extractor
12 Ramp	38 Spring
13 Roller	39 Pin, extractor
14 Spring	40 Spring, pin firing
15 Washer lock	41 Thrustpiece
16 Pin, trigger mechanism	42 Spirol pin
17 Axle	43 Barrel guide, sub-assembly
18 Lever control	44 Spring, plate lock
19 Drop safety	45 Plate lock
20 Lever, release	46 Pin, control
21 Lever, disconnect	47 Spring lock
22 Spring, trigger mechanism	48 Rod, spring lock
23 Bolt lock guide	49 Body, magazine
24 Spring, catch hold open	50 Platform, magazine
25 Hammer	51 Bottom magazine
26 Spring, hammer	52 Spring, platform magazine
	53 Spring

EXPLODED VIEW



11 GUARANTEE CLAUSES

These guarantee clauses do not apply to the USA. For claiming guarantees in the USA the provisions contained in the enclosed "Form 15 01/92" shall apply.

Guarantee will be given by either replacing or repairing the weapon or parts of it at our sole discretion. Any costs for material or working time shall be borne by us. Neither cancellation nor reduction may be claimed.

If during the period of guarantee faults in material or regularly recurrent functional defects should occur that cannot be attributed to the ammunition, any guarantee claims have to be submitted without delay, at the latest however within a period of one month.

All authorized Steyr Mannlicher dealers as well as the Steyr Mannlicher Aktiengesellschaft may accept guarantee claims.

The customer shall bear any costs, the risk of loss or damage on or from the way to the agency accepting the guarantee claims and delivering the repaired weapon again.

You are requested to send us the fully completed Steyr Mannlicher guarantee claim card (annex 1 of the instructions of use) within ten (10) days after purchasing the weapon.

In case of a guarantee claim the completed Mannlicher guarantee card (annex 2 of the instructions of use) must be submitted together with the weapon.

No guarantee claims are accepted by the Steyr Mannlicher Aktiengesellschaft,

- a) if the weapon has been damaged or destroyed by force majeure or environmental influences;
- b) in case of damages caused by improper treatment, handling or lack of care;

- c) if the weapon has been repaired, machined or altered by any other workshop than an authorized Steyr Mannlicher workshop or any other person;
- d) in case of consequential damages or poor shooting results which are due to the improper mounting of aiming devices on the weapon other than the genuine sighting device in as much as mounting had not been done by an authorized Steyr Mannlicher workshop or are caused by any such aiming devices respectively;
- e) for any other aiming devices than the genuine sighting;
- f) if reloaded or not CIP- or SAAMI-admitted ammunition is used.

The above provisions govern the full relationship with our company. Any additional claims, in particular for any kind of damages or losses caused by the weapon or its use, are excluded. Any claims against the Steyr Mannlicher dealer as seller are excluded, if and to the extent as we give satisfaction.



GUARANTEE CARD



The Steyr Mannlicher Aktiengesellschaft grants to the first owner of the weapon specified below **1 year of guarantee** as from the purchase date in accordance with the Steyr Mannlicher guarantee clauses. (See § 11 of the instructions of use)

Model _____ **Serial number** _____ **Purchase date** _____

Date of first owner

Name _____

Street _____

Zip (postal) code / domicile _____

Telephone _____

Short description of claim _____

In a guarantee case this guarantee card has to submitted together with the weapon to an authorized Steyr Mannlicher dealer or to the Steyr Mannlicher Aktiengesellschaft, after-sales service department.

(Annex 2)



GUARANTEE CLAIM CARD



To safeguard any guarantee claims please return this card completed within a period of ten (10) days after the purchase of the weapon to our company.

The Steyr Mannlicher Aktiengesellschaft grants to the first owner of the weapon specified below **1 year of guarantee** as from the purchase date in accordance with the Steyr Mannlicher guarantee clauses. (See § 11 of the instructions of use)

Model _____ **Serial number** _____ **Purchase date** _____

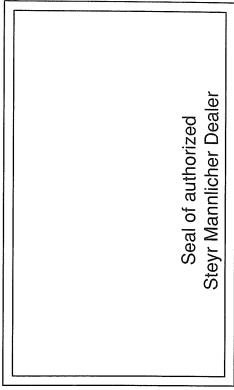
Date of first owner

Name _____

Street _____

Zip (postal) code / domicile _____

Telephone _____



(Annex 1)

Steyr Mannlicher Aktiengesellschaft

Postfach 1000 / P.O.B. 1000
A-4400 Steyr/Austria

